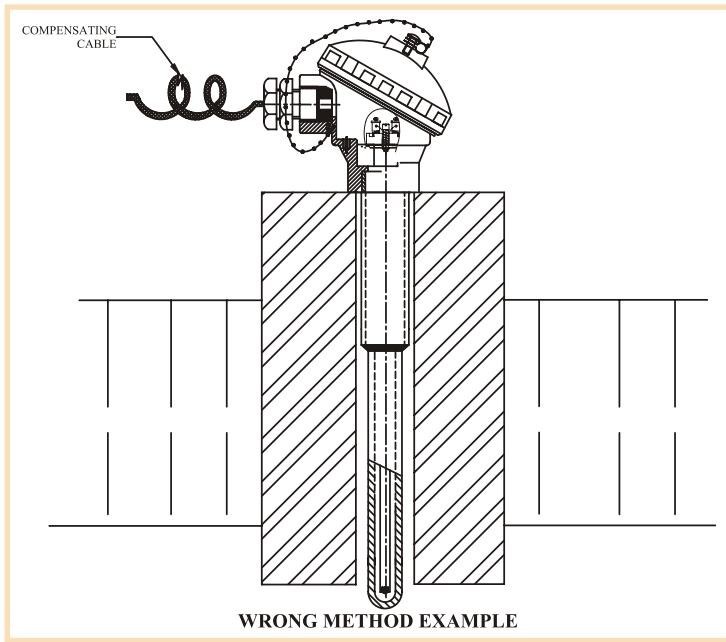


# INSTALLATION RECOMMENDATIONS

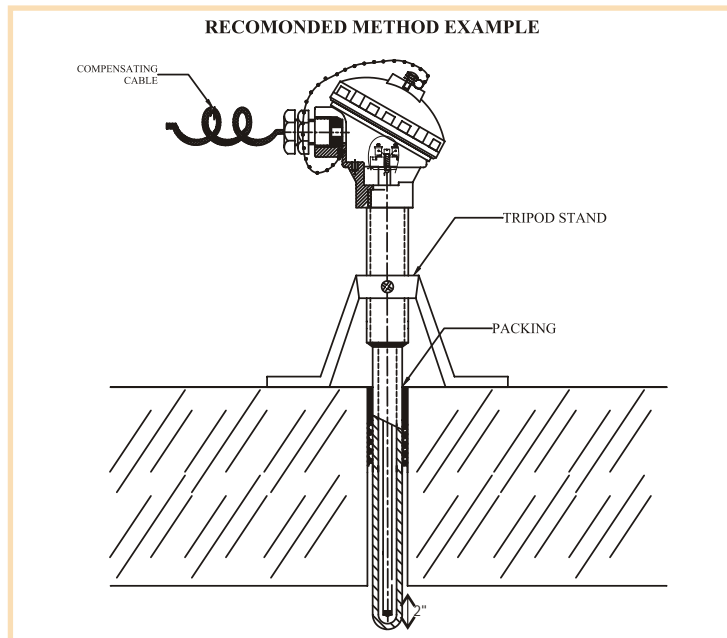


## Wrong Method of Installation :

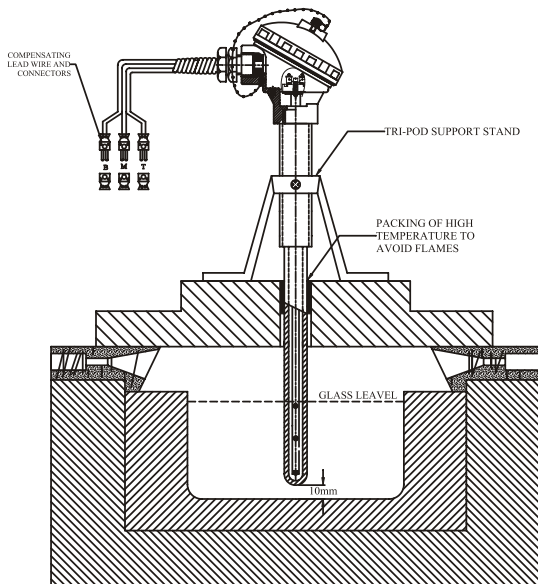
Connection head should not rest on Crown block surface, overheating of connection (cold end) may cause errors in temperature readings, insulation material should be packed in hole to avoid flames. Immersion in atmosphere should not be more than 2".

## Method of Good Installation :

Connection Head should be 6" to 12" above roofing, protection sheath should be properly packed with high temperature insulation to avoid heat.



## TRI LEVEL INSTALLATION ON FOR HEARTH/DISTRIBUTER



## Method of Tri Level Installation on for Hearth / Distributor

Connection Head should be 6" to 12" above roofing, protection sheath should be properly packed with high temperature insulation to avoid heat.

Thermocouple should be 10mm above bottom block as to avoid any breakage due to thermal expansion. All three points should be in the glass depth & difference in thermocouple points to be selected as per glass depth.



